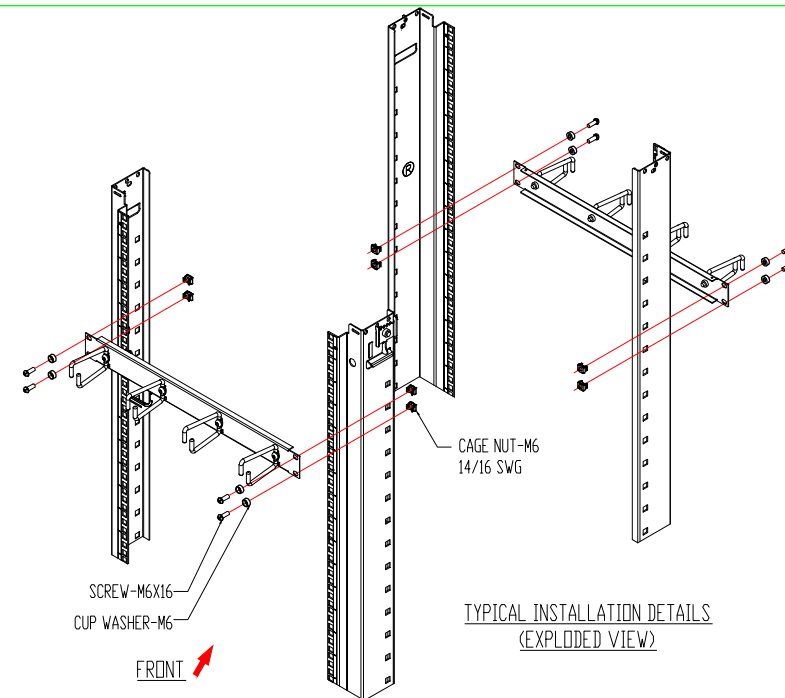
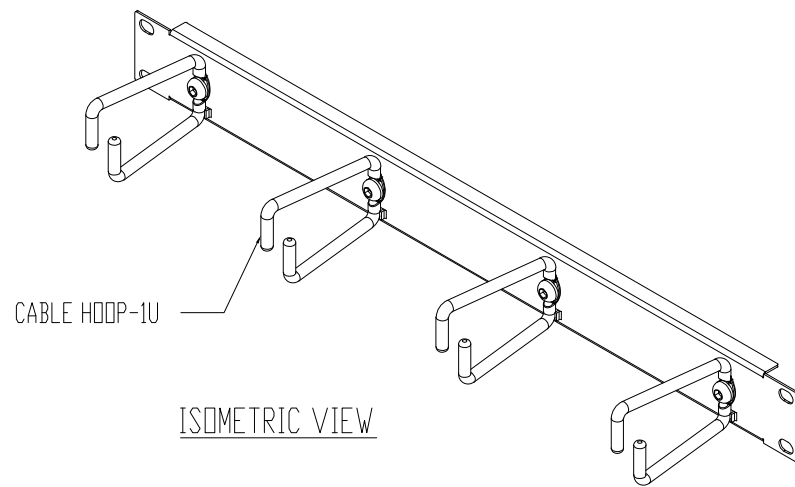


TYPICAL APPLICATION EXAMPLE,
INSTALLED IN SX ENCLOSURE (DIMETRIC VIEW)



TYPICAL INSTALLATION DETAILS
(EXPLODED VIEW)

NOTES:

1. INSTALLATION SHALL COMPLY WITH ALL APPLICABLE NATIONAL AND LOCAL CODES.
2. SEE PRODUCT DOCUMENTATION FOR FURTHER INFORMATION.
3. UNLESS OTHERWISE SPECIFIED, ALL DIMENSIONS ARE IN INCHES [MILLIMETERS].
4. EACH SKU INCLUDES ACCESSORIES OF (4) SCREWS, (4) CUP WASHERS & (4) CAGE NUTS.
5. WEIGHT OF UNIT IS 1.4 LBS. [0.64 kg].

THIS DRAWING AND SPECIFICATIONS HEREIN ARE THE PROPERTY OF Rakworx AND SHALL NOT BE COPIED, REPRODUCED OR USED IN WHOLE OR IN PART, AS THE BASIS FOR THE MANUFACTURE OR SALE OF ITEMS WITHOUT WRITTEN PERMISSION FROM Rakworx. THIS DRAWING IS BASED UPON LATEST AVAILABLE INFORMATION AND IS SUBJECT TO CHANGE WITHOUT NOTICE.

	Name	Date	Description	Drawing No.
Drawn by			1U HORIZONTAL CABLE ORGANIZER	RM86005
Approved by				
			Scale: 1:1	Unit: mm
			Third angle projection	Sheet: 1OF1