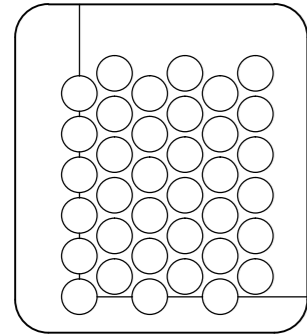
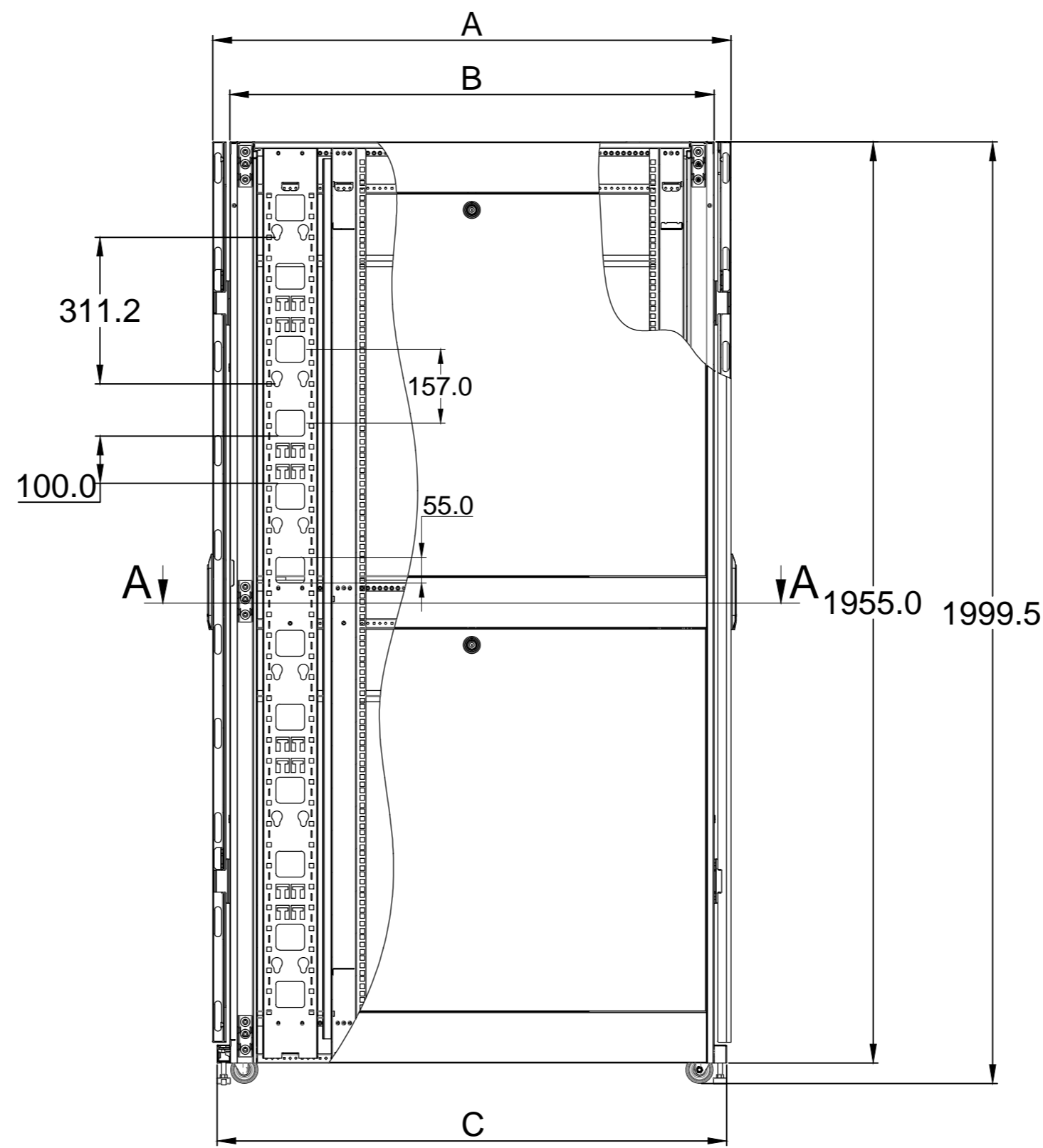
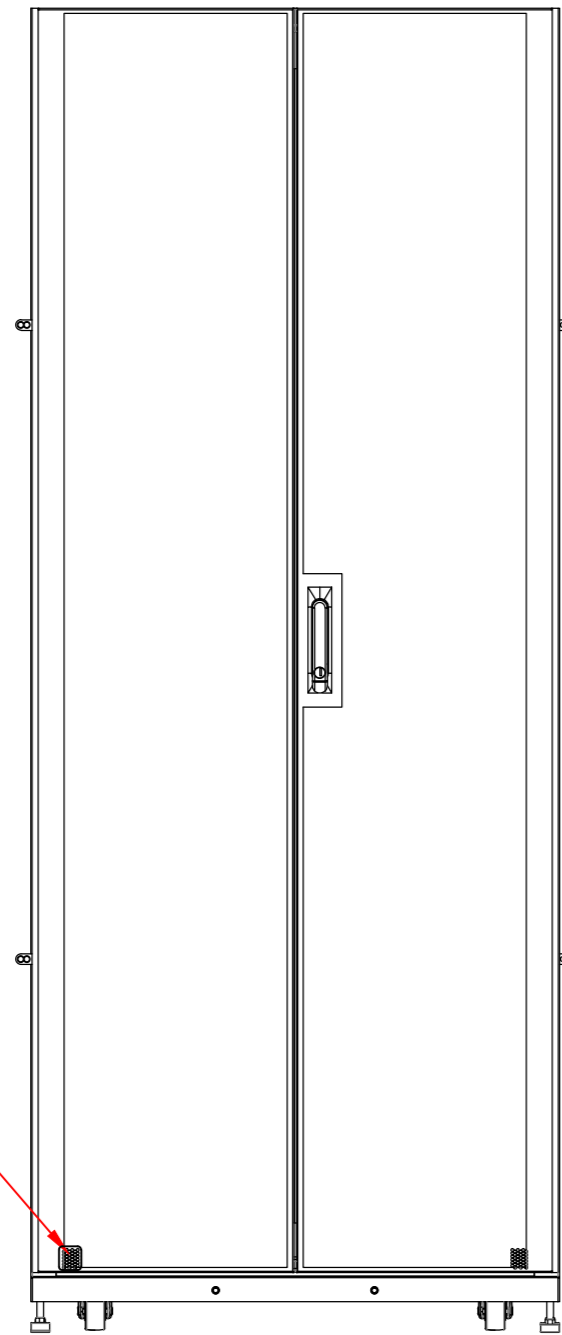


This panel is constructed with perforated material

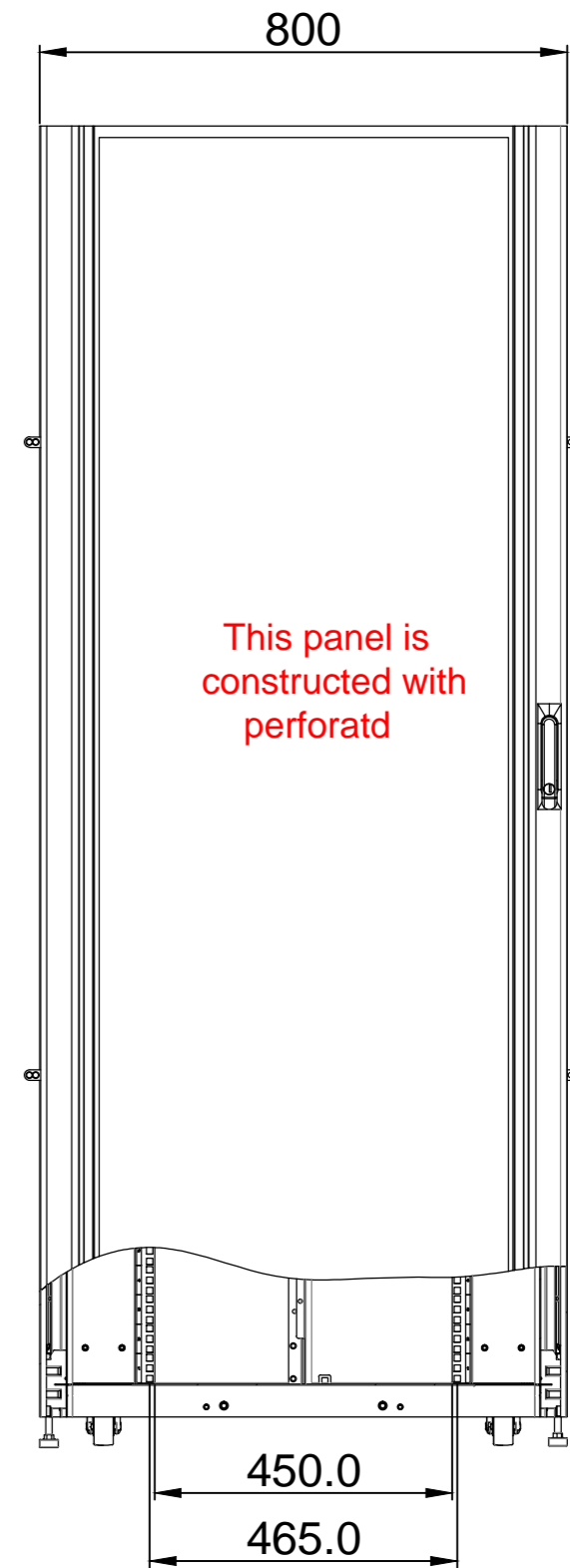


DETAIL A
SCALE 0.400

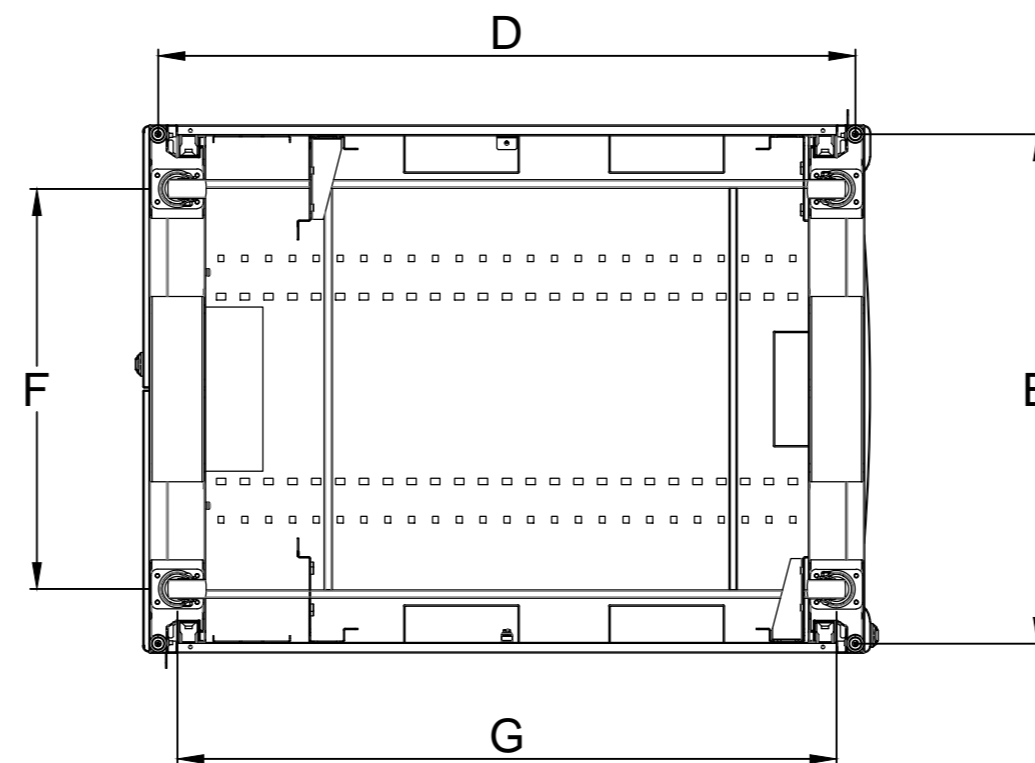
DETAIL A



FRONT VIEW



RIGHT VIEW




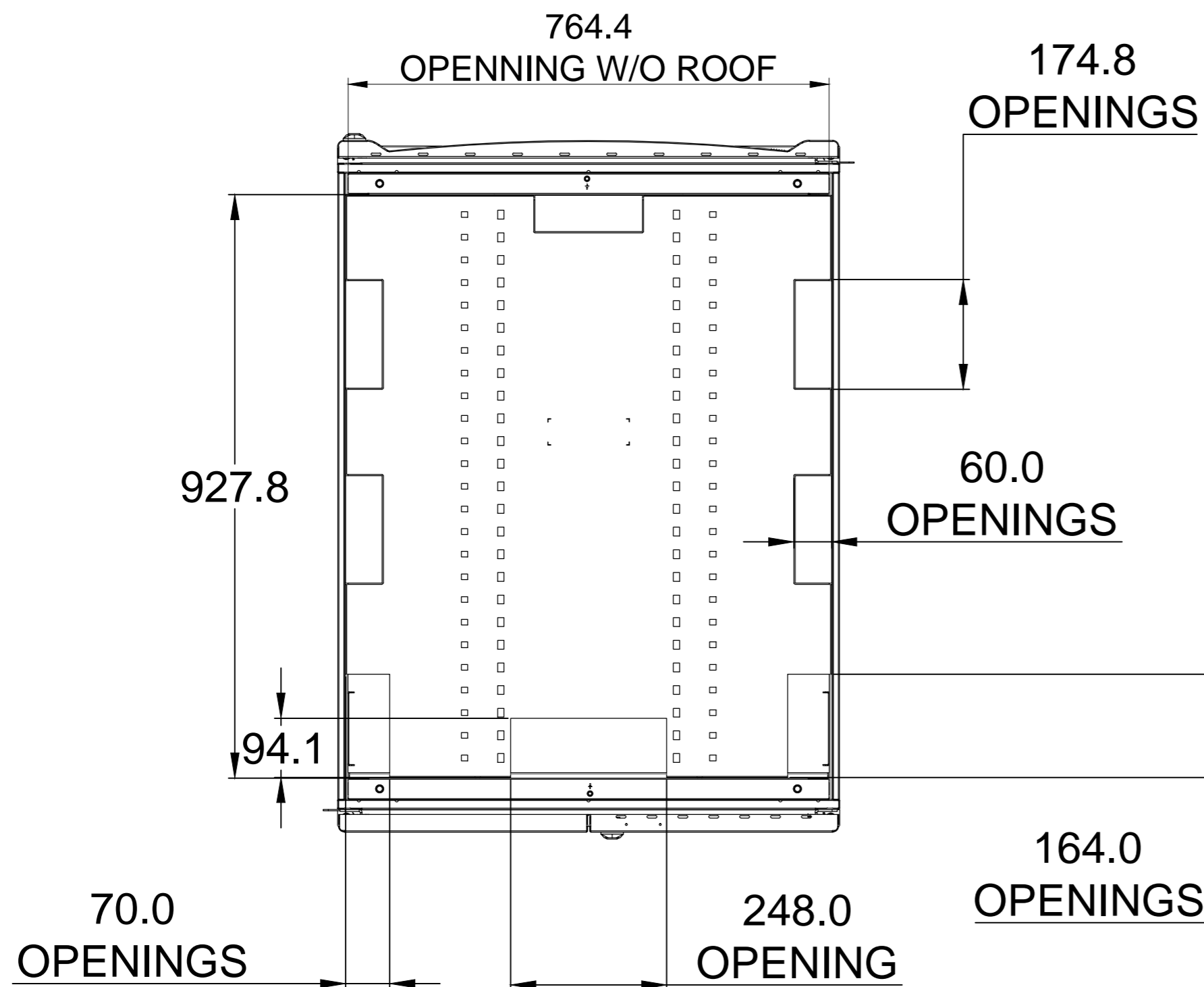
BOTTOM VIEW

NOTES:

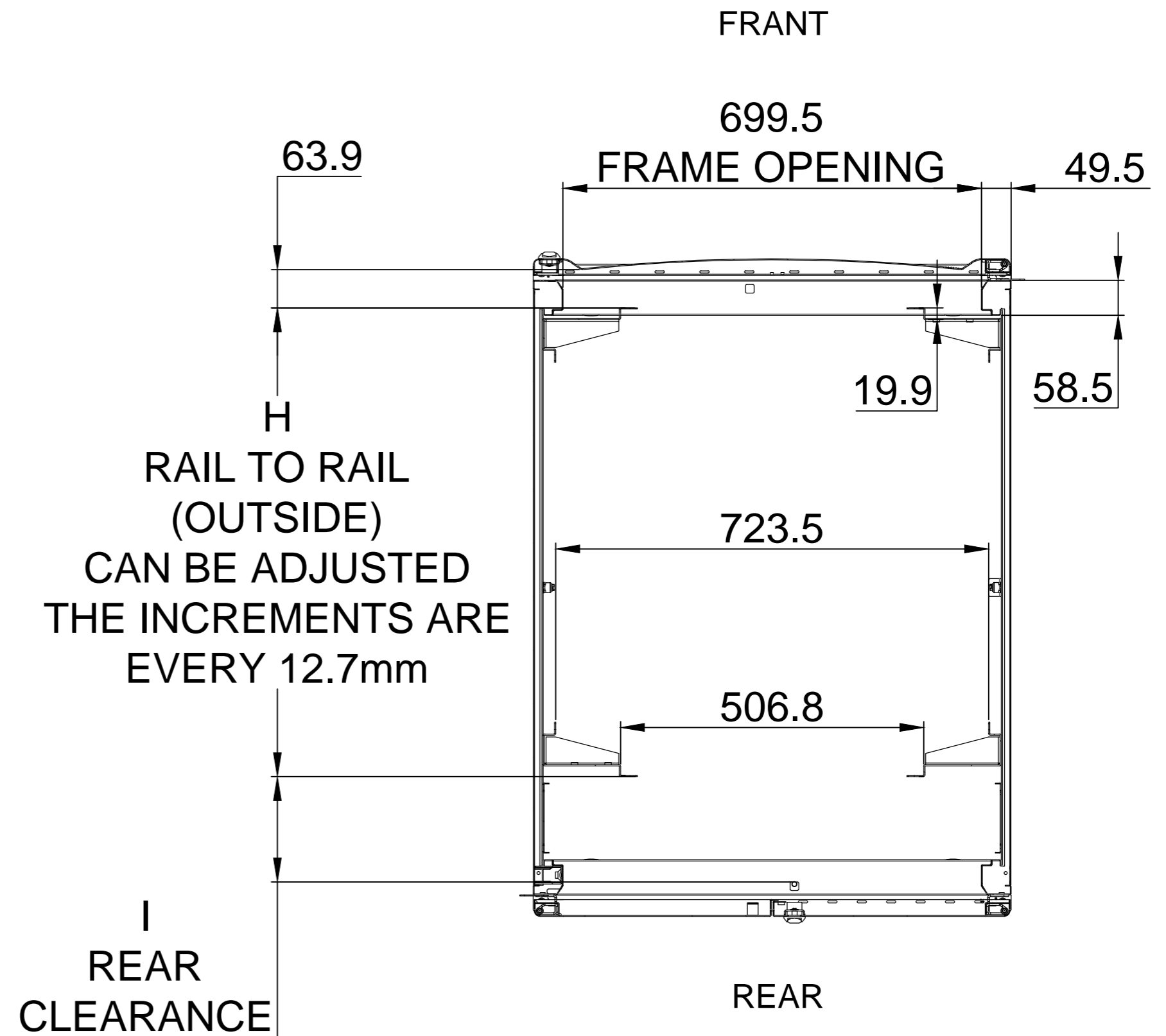
1. COMPLY WITH ALL APPLICABLE NATIONAL, STATE AND LOCAL ELECTRICAL REGULATIONS.
2. REFER TO THE PRODUCT DOCUMENTATION FOR ADDITIONAL DETAILS PRIOR TO INSTALLATION AND SITE PREPARATION WORK.
3. ALL DIMENSIONS ARE IN MILLIMETERS .
4. NET WEIGHT OF ENCLOSURE IS 120-160 Kg .
5. CABLE ENTRY IS TOP OR BOTTOM OF ENCLOSURE.
6. FRONT AND REAR SERVICE ACCESS REQUIRED.
7. AIR FLOW AND SERVICE REQUIREMENTS, AS WELL AS MINIMUM CLEARANCE TO FIRE SUPPRESSION SYSTEMS SHOULD BE CONSIDERED WHEN LOCATING THE ENCLOSURE.

THIS DRAWING AND SPECIFICATIONS HEREIN ARE THE PROPERTY OF Rakworx AND SHALL NOT BE COPIED, REPRODUCED OR USED IN WHOLE OR IN PART, AS THE BASIS FOR THE MANUFACTURE OR SALE OF ITEMS WITHOUT WRITTEN PERMISSION FROM Rakworx. THIS DRAWING IS BASED UPON LATEST AVAILABLE INFORMATION AND IS SUBJECT TO CHANGE WITHOUT NOTICE.

	Name	Date	Description	Drawing No.
Drawn by			MAIN MECHANICAL	RCS800
Approved by				Unit: mm
			Scale: 1:1	Sheet: 1OF4
			Third angle projection	




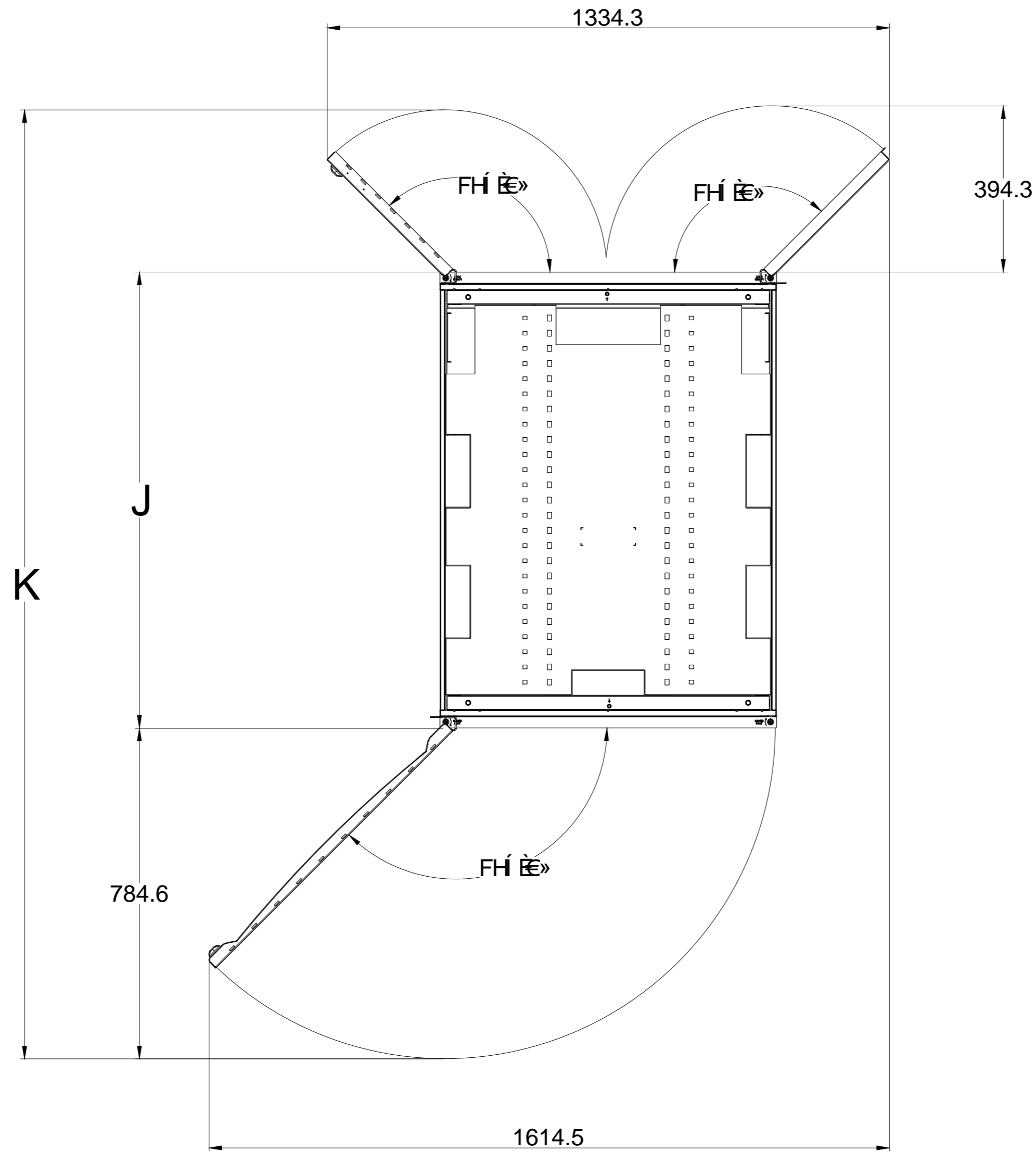
TOP VIEW



SECTION A-A


THIS DRAWING AND SPECIFICATIONS HEREIN ARE THE PROPERTY OF Rakworx AND SHALL NOT BE COPIED, REPRODUCED OR USED IN WHOLE OR IN PART, AS THE BASIS FOR THE MANUFACTURE OR SALE OF ITEMS WITHOUT WRITTEN PERMISSION FROM Rakworx. THIS DRAWING IS BASED UPON LATEST AVAILABLE INFORMATION AND IS SUBJECT TO CHANGE WITHOUT NOTICE.

	Name	Date	Description	Drawing No.
Drawn by			TOP VIEWS	RCS800
Approved by				Unit: mm
			Scale: 1:1	Third angle projection
				Sheet: 2OF4




TOP VIEW
(DOORS FULLY OPEN)

THIS DRAWING AND SPECIFICATIONS HEREIN ARE THE PROPERTY OF Rakworx AND SHALL NOT BE COPIED, REPRODUCED OR USED IN WHOLE OR IN PART, AS THE BASIS FOR THE MANUFACTURE OR SALE OF ITEMS WITHOUT WRITTEN PERMISSION FROM Rakworx. THIS DRAWING IS BASED UPON LATEST AVAILABLE INFORMATION AND IS SUBJECT TO CHANGE WITHOUT NOTICE.

Name	Date	Description	Drawing No.
Drawn by		TOP VIEW (DOORS FULLY OPEN)	ACS800
Approved by			Unit: mm
		Scale: 1:1	Sheet: 3OF4
		Third angle projection	

序号	料号	A	B	C	D	E	F	G	H	I	J	K	
1	ACS82100	1000.0	927.6	981.6	953.3	770.3	604.6	895.6	656.8	152.0	982.0	2151.5	42U
2	ACS82107	1070.0	997.6	1051.6	1023.3	770.3	604.6	965.6	707.6	222.0	1052.0	2221.5	42U
3	ACS82110	1100.0	1027.6	1081.6	1053.3	770.3	604.6	995.6	707.6	252.0	1082.0	2251.5	42U
4	ACS82120	1200.0	1127.6	1181.6	1153.3	770.3	604.6	1095.6	707.6	352.0	1182.0	2351.5	42U

THIS DRAWING AND SPECIFICATIONS HEREIN ARE THE PROPERTY OF Rakworx AND SHALL NOT BE COPIED, REPRODUCED OR USED IN WHOLE OR IN PART, AS THE BASIS FOR THE MANUFACTURE OR SALE OF ITEMS WITHOUT WRITTEN PERMISSION FROM Rakworx. THIS DRAWING IS BASED UPON LATEST AVAILABLE INFORMATION AND IS SUBJECT TO CHANGE WITHOUT NOTICE.

	Name	Date	Description	Drawing No.
Drawn by			FORM	RCS800
Approved by				Unit: mm
			Scale: 1:1	Third angle projection
			Sheet: 4OF4	